

# Theory of Operation Soldering Kit Circuit

**LESSON 14**  
**EET 150**

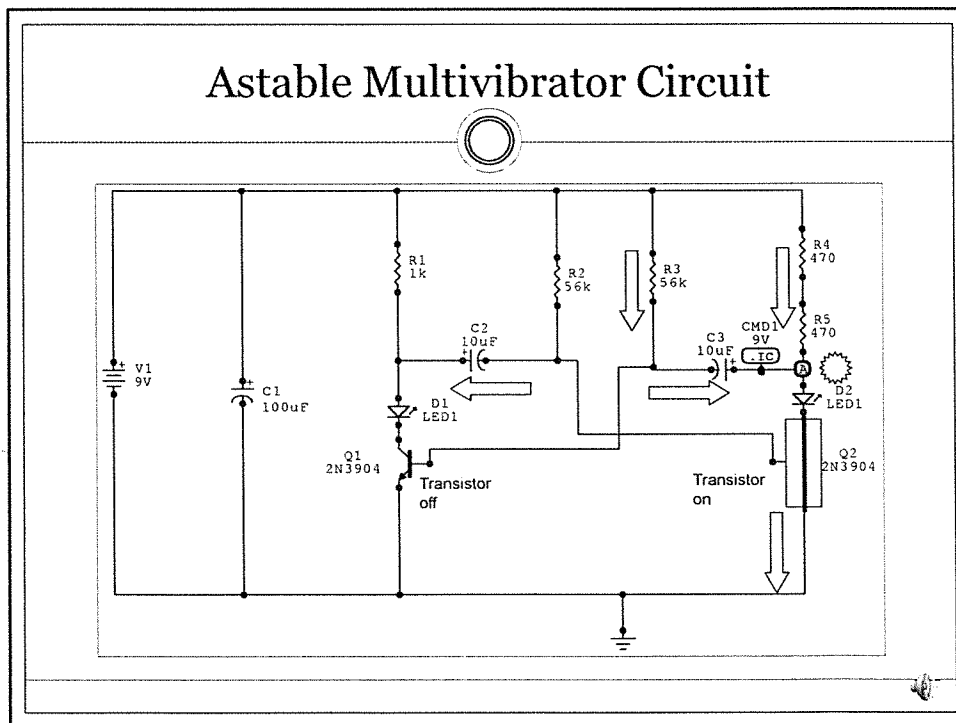
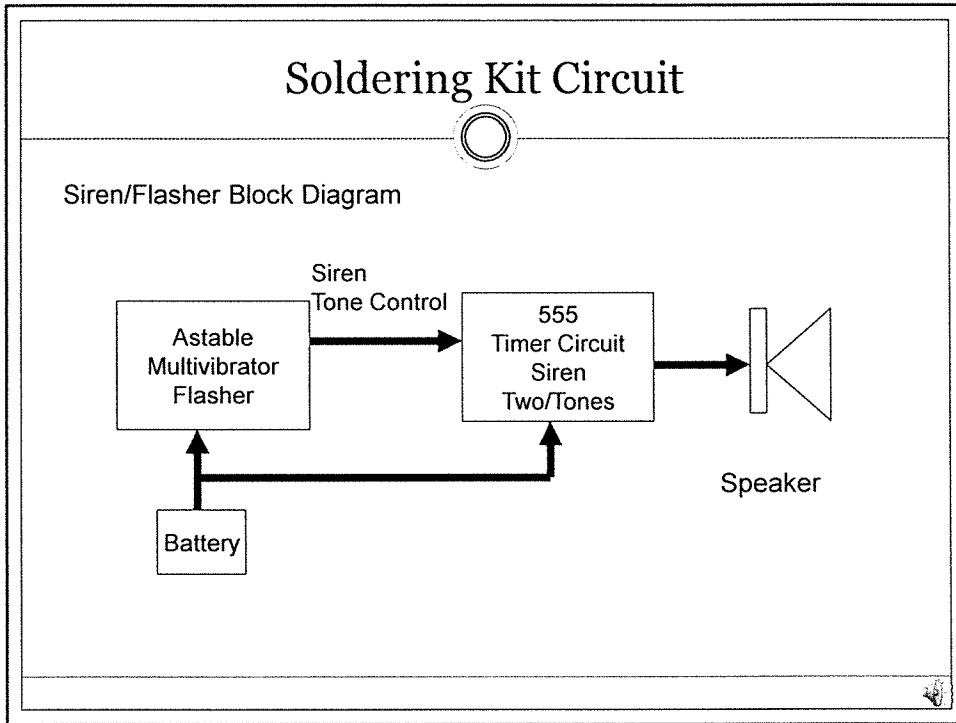


## Learning Objectives

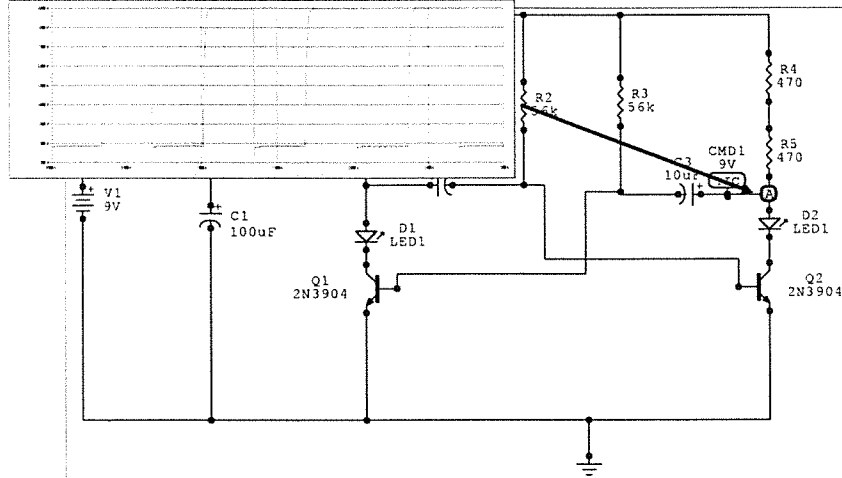


- ▣ In this lesson you will:
- ▣ learn the theory behind the operation of the flasher circuit.
- ▣ see how a schematic represents an actual circuit.
- ▣ see an application of an IC timer.
- ▣ see an oscillator constructed using discrete transistors
- ▣ see the waveforms expected at various parts of the circuit

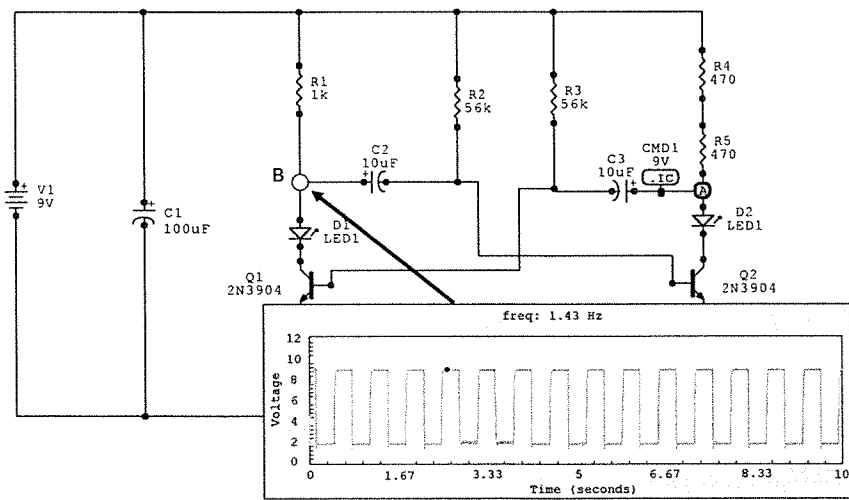


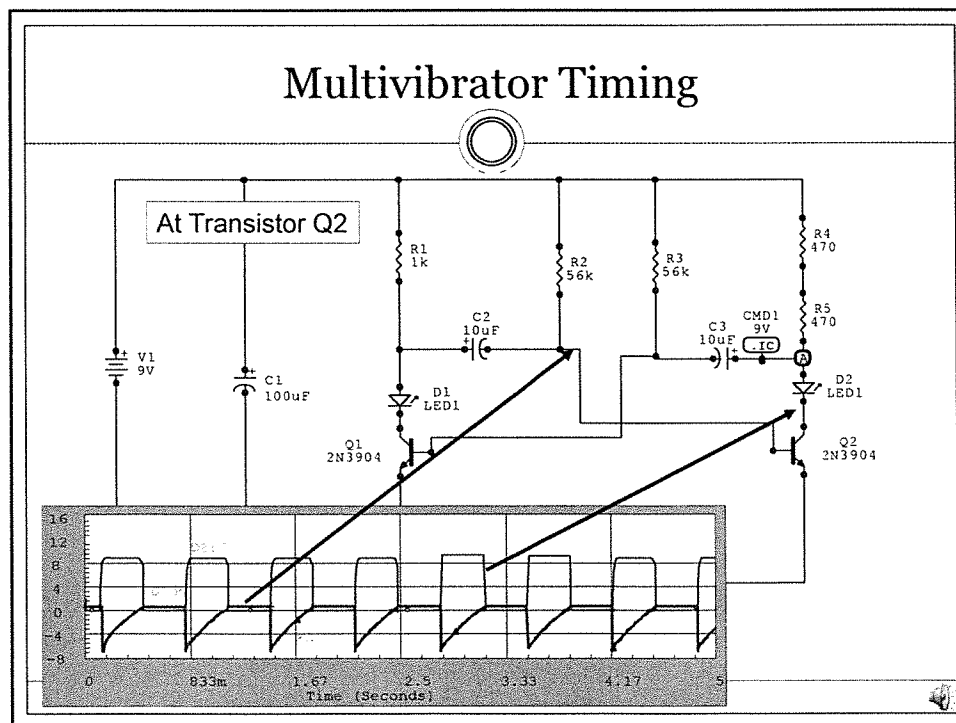
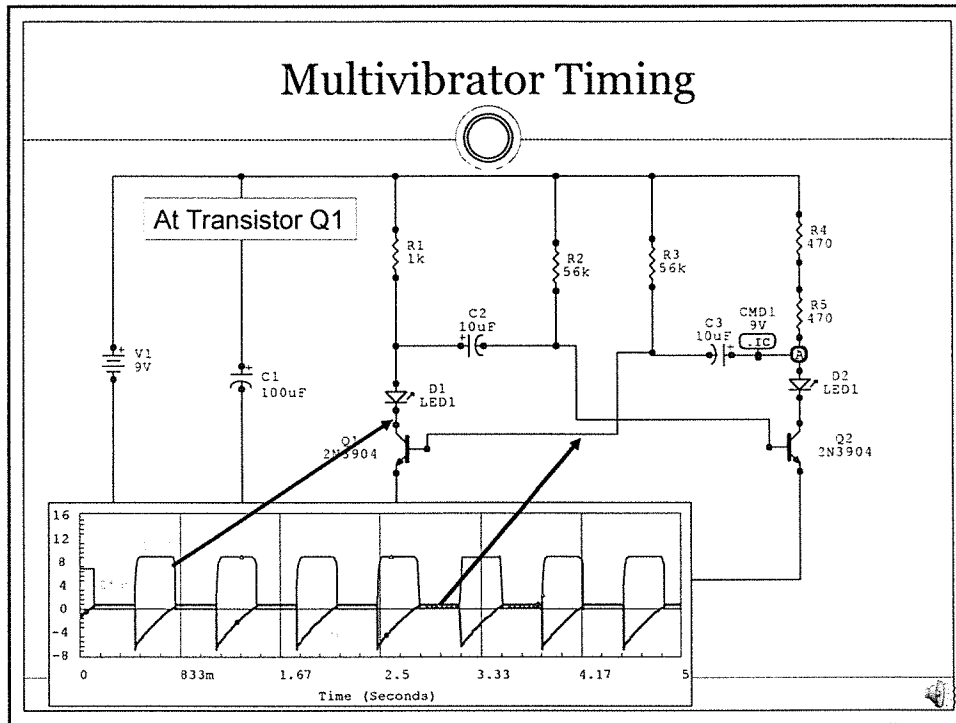


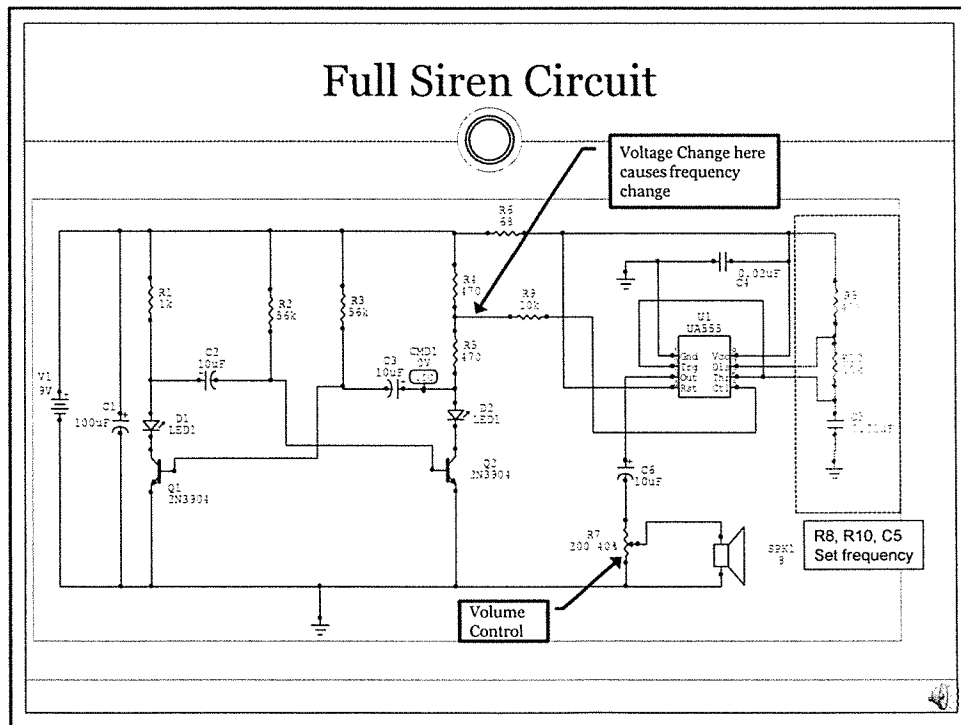
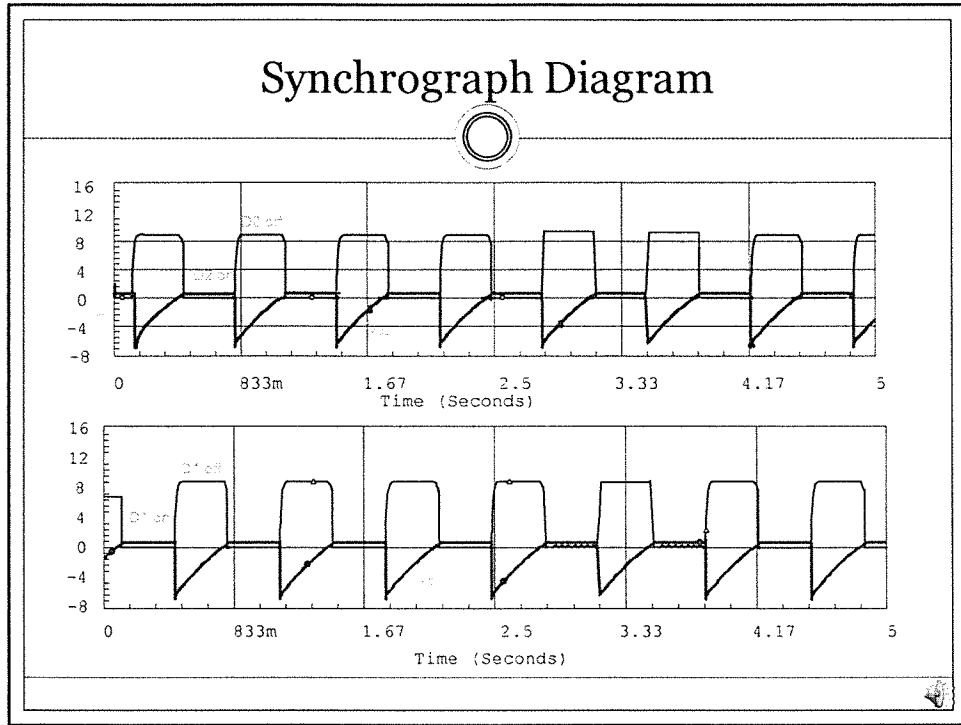
### Multivibrator Output Point A

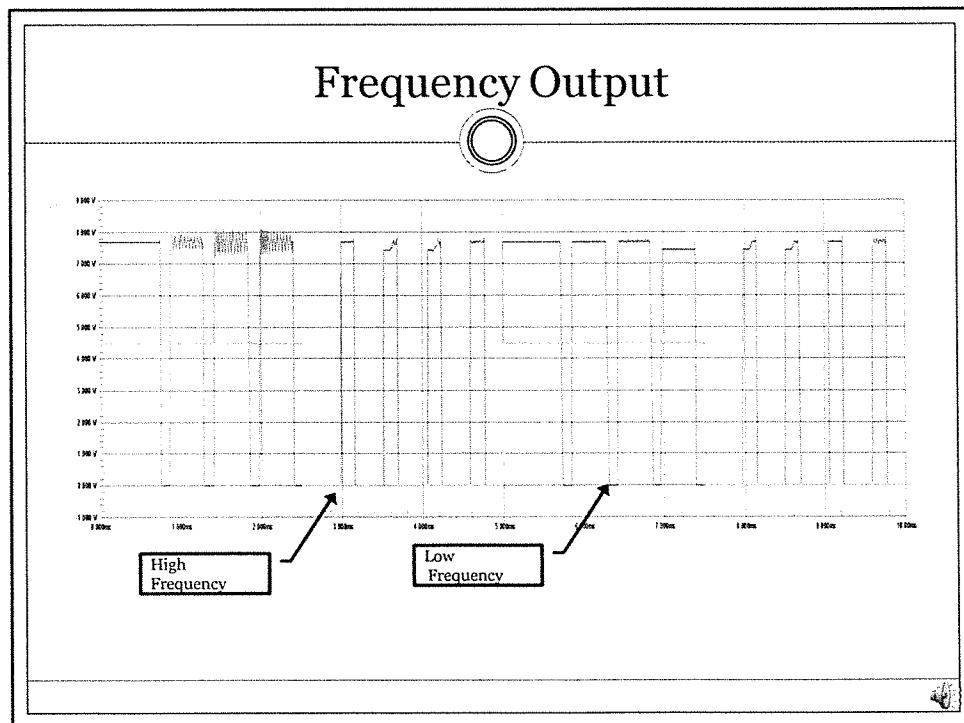
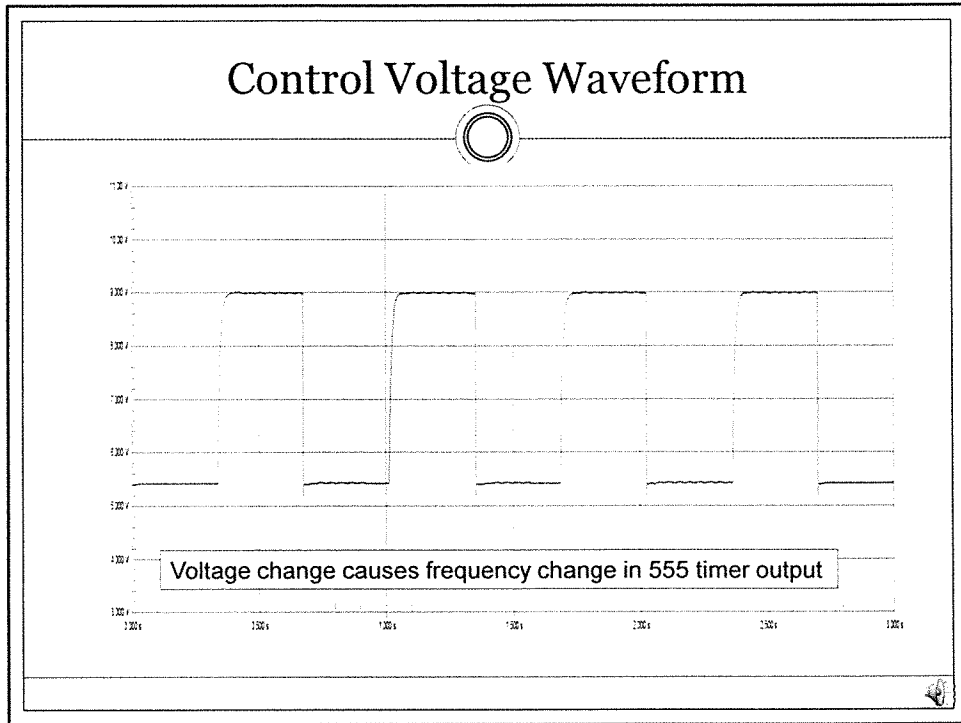


### Multivibrator Output Point B









# Soldering Kit Siren Circuit Theory



**END LESSON 14 EET 150  
COMING NEXT:  
INTRODUCTION TO  
TROUBLESHOOTING**



