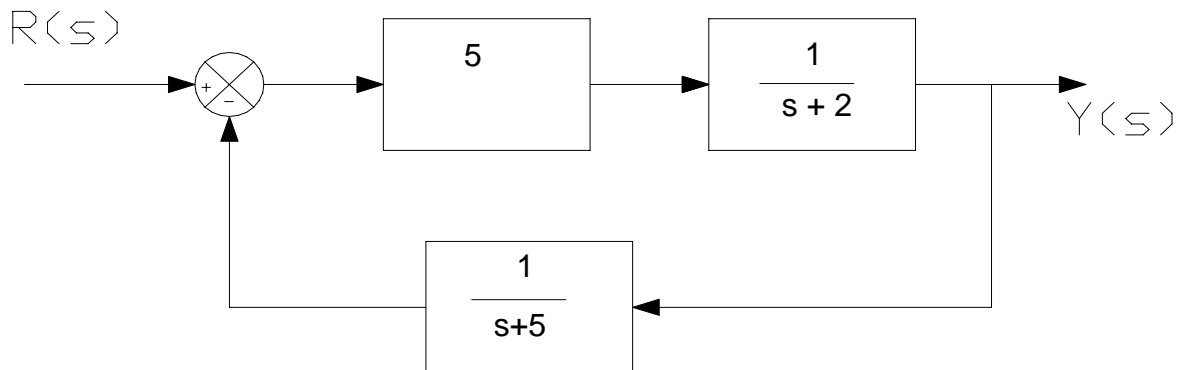


ET 438a  
 Continuous and Digital Control  
 Second Order System Homework

Find the closed-loop transfer functions for each of the block diagram systems given below. Determine the natural frequency  $\omega_n$ , and the damping factor  $\zeta$  of each system

a.)



b.)

